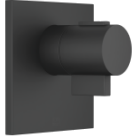


36 501 985



- cover plate 120 x 120 mm
- temperature control handle with safety limit stop at 38°C
- thermostat cartridge

Fits: IMO, MEM, CL.1, CYO

|   |                                |               |
|---|--------------------------------|---------------|
|    | Matte Black                    | 36 501 985-33 |
|    | Chrome                         | 36 501 985-00 |
|    | Brushed Platinum               | 36 501 985-06 |
|    | Platinum                       | 36 501 985-08 |
|    | Dark Chrome                    | 36 501 985-19 |
|    | Brushed Light Gold             | 36 501 985-27 |
|    | Brushed Durabronze (23kt Gold) | 36 501 985-28 |
|    | Brushed Champagne (22kt Gold)  | 36 501 985-46 |
|    | Champagne (22kt Gold)          | 36 501 985-47 |
|   | Brushed Chrome                 | 36 501 985-93 |
|  | Brushed Dark Platinum          | 36 501 985-99 |

**Required miscellaneous**



**xTOOL Concealed thermostat module without volume control -** 35 503 970 90  
 •max. recess depth 160 mm  
 •min. recess depth 95 mm

**Recommended miscellaneous**



**xGRID Attachment set for integrating in the dry wall construction -** 12 340 970 90

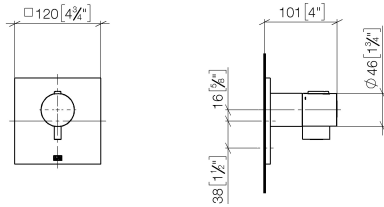
**Required miscellaneous**



**xGRID Installation track 555 mm -** 12 360 970 90

36 501 985

mm [inches]



Certificates

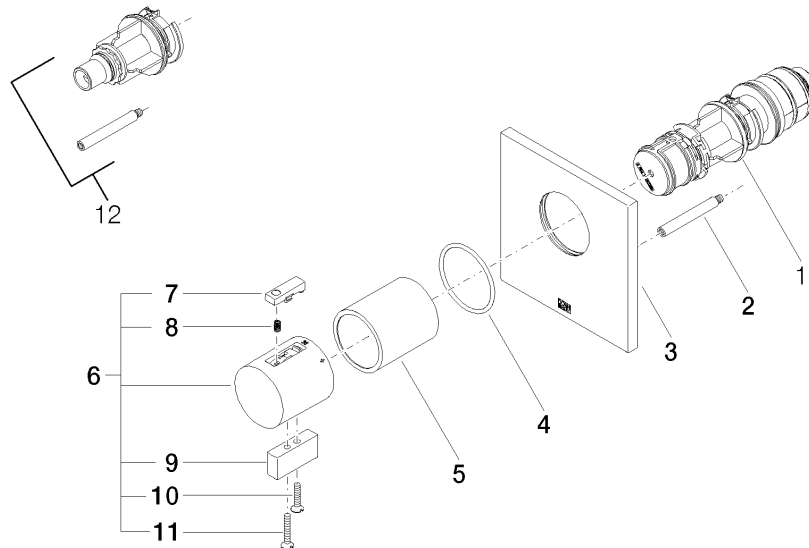
WRAS\_2011026.

DVGW\_DW-  
6512DN0706.

LGA\_29930.

LGA\_29932.

36 501 985



### Spare parts list

| No. | Item Number        | Name              | Quantity used | Delivery time |
|-----|--------------------|-------------------|---------------|---------------|
| 1   | 90 15 02 063 00 90 | cartridge         | 1             | 2             |
| 2   | 90 31 09 095 00 90 | bar               | 1             | 2             |
| 3   | 09 11 02 196-33    | cover             | 1             | 60            |
| 4   | 90 14 10 049 00 90 | seal              | 1             | 2             |
| 5   | 90 21 02 112 00-33 | sleeve            | 1             | 30            |
| 6   | 04 17 33 006 00-33 | handle            | 1             | 60            |
| 7   | 90 21 33 011 00-13 | handle            | 1             | 2             |
| 8   | 90 16 02 027 00 90 | spring            | 1             | 2             |
| 9   | 09 20 33 006-33    | handle            | 1             | 30            |
| 10  | 09 30 30 159-33    | screw             | 1             | 30            |
| 11  | 09 30 30 160-33    | screw             | 1             | 30            |
| 12  | 12 178 970 90      | Extension 46 mm - | 1             | 2             |